



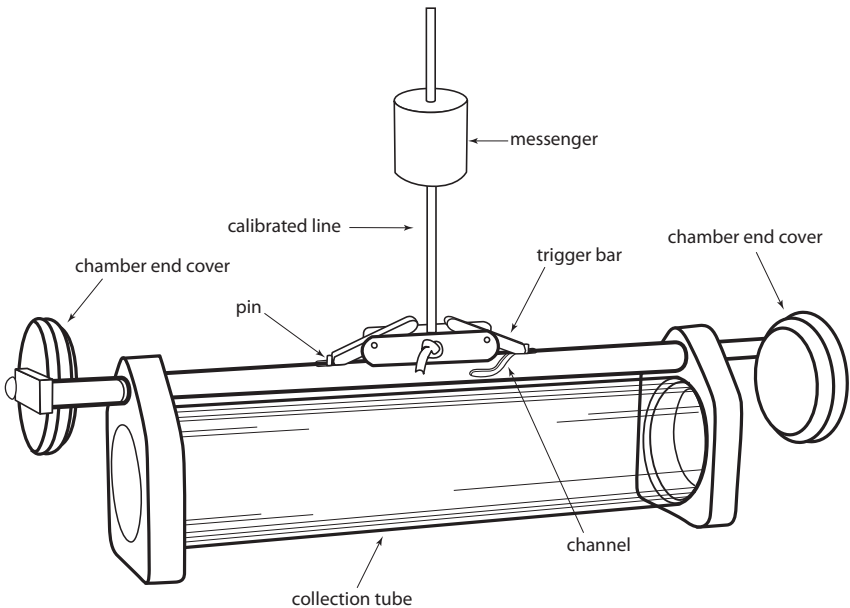
## HORIZONTAL WATER SAMPLER

CODE 1087

### INTRODUCTION

---

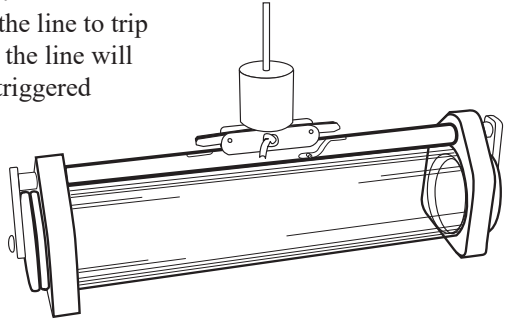
The Horizontal Water Sampler is designed to collect approximately 1200 mL of sample water. The sampler is attached to a calibrated line, making it possible to take a sample at a specific depth. The line is calibrated at every meter up to 20 meters. The substantial weight of the sampler insures a rapid descent and helps to minimize drift due to currents. A trigger mechanism is activated by a messenger which travels down the line to trip the closing mechanism and release the chamber end covers. The covers seal the water sample from the chosen depth in the chamber and prevent the sample from mixing with intermediate layers of water as the sampler is brought to the surface. The sampler is made from materials that will not contaminate the sample and are non-corrosive.



## PROCEDURE

---

1. To set the trigger mechanism, grasp one chamber end cover. Pull the cover outward while rotating it to move the pin to the end of the channel on the top of the bar. Continue until the pin has reached the end of the channel and the trigger bar has dropped into place to secure the pin.
2. Repeat with the other chamber end cover.
3. The trigger mechanism is now set and the sampler is ready to be lowered into the water.
4. Hold the calibrated line and messenger in one hand. Hold the sampler by the line in the other hand. Steadily lower the water sampler until the desired depth is reached.
5. Hold the line in a vertical position over the sampler.  
**The line must be taut and vertical.** Release the messenger, allowing it to travel down the line to trip the trigger mechanism. A slight tug on the line will indicate that the mechanism has been triggered and the sampler has been closed.
6. Gradually pull in the line to bring the sampler to the surface.
7. Larger aliquots of the sample can be poured from the chamber by opening one chamber end cover.



NOTE: Before storing the sampler, rinse it with fresh water to remove sand and salt. Avoid prolonged exposure to sunlight.

NOTE: The chamber end covers should be loose against the arms that attach to the rod. Do not tighten the screws that hold the chamber end covers to the arms.

**LaMOTTE COMPANY** | Helping People Solve Analytical Challenges

802 Washington Ave · Chestertown · Maryland · 21620 · USA  
800-344-3100 · 410-778-3100 [Outside U.S.A.] · Fax 410-778-6394

Visit us on the web at [www.lamotte.com](http://www.lamotte.com)

©2021 LaMotte Company | 61087 | 09.21